

GEN Series 1kVA - 3kVA Single Phase UPS

The GEN Series are true On Line Double Conversion UPS. The GEN series incorporates input power factor correction. The UPS use the most advanced microprocessor to reduce the size and the number of components and enhanced the reliability significantly of the UPS.

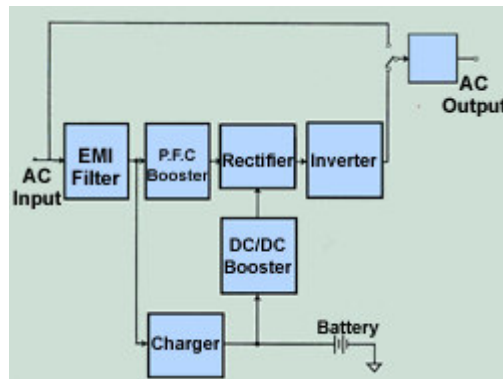


Sold and
Serviced
Exclusively
By

Power
Systems
Specialists

True On line Double Conversion Technology

The UPS converts the AC mains voltage to DC to charge the battery and to supply the inverter with power. The inverter generates a clean AC sinewave voltage on the output of the UPS.



During a mains power failure the battery delivers the necessary power to the inverter to power the critical load. In case of overload or short circuit, the bypass systems guarantees the critical load is automatically switch directly to the mains power.

Imported
Exclusively
By

K
W
Control
Systems

LED display showing Load status, Battery status, UPS Operation status. The unit has an audible alarm for on battery and UPS fault.

Optional accessories include SNMP smart cards and AS400 contact relay cards. Extended battery run time options available with external battery cabinets.

1kVA - 3kVA Single Phase Specification

MODEL	GEN-1K	GEN-1.5K	GEN-2K	GEN-3K	
RATED POWER	1kVA/700W	1.5kVA/1.05kW	2kVA/1.4kW	3kVA/2.1kW	
INPUT					
INPUT CABLE	L5-15P	L5-20P	L5-20P	L5-30P	
VOLTAGE	60 – 138VAC, (120VAC)				
FREQUENCY	50Hz / 60Hz (+/- 8%)				
POWER FACTOR	>0.95		>0.97		
OUTPUT					
OUTPUT RECEPTACLES	(4) 5-15R		(6) 5-15R		
VOLTAGE	110V/115V/120V (Factory set 110V)				
FREQUENCY	50Hz / 60Hz (auto tracking)				
VOLTAGE REGULATION	+ / - 2%				
DISTORTION	< 3 % (Linear load)		< 4% (Full linear load)		
WAVEFORM	Pure sinewave				
OVERLOAD CAPACITY	105%-150% load 30 sec., > 150% load for 200ms				
FAX/Modem surge protection	RJ11 connector				
BATTERY					
BATTERY VOLTAGE	36V/3×7AH	48V/4×7AH	96V/8×7AH	96V/8×7AH	
TYPE	Maintenance free sealed lead-acid				
BACK-UP TIME	FULL LOAD	5 min.	5 min.	9 min.	5 min.
	HALF LOAD	14 min.	14 min.	21 min.	17 min.
ON – LINE OPERATION	Zero break at input line loss and recovery				
INDICATOR	Load status, Battery status, UPS Operation status				
AUDIBLE ALARM	DC mode : every 4 seconds UPS Abnormal : continuous				
NOISE LEVEL	< 45 dBA (at 1 meter)		< 50 dBA (at 1 meter)		
COMMUNICATION INTERFACE	RS-232 standard, RJ45 I/O port and AS400 contact relay optional				
ENVIRONMENT					
TEMPERATURE	32 F to 104F (0C TO 40C)				
HUMIDITY	0% to 90%(non-condensing)				
WEIGHT/ NET (lbs)	31	41	78	78	
DIMENSIONS (W×D×H) inches	5.7×15.7×8.7	5.7×18.5×8.7	7.5×17.7×14.2	7.5×17.7×14.2	